

FAG

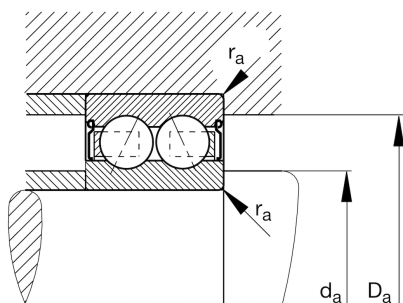
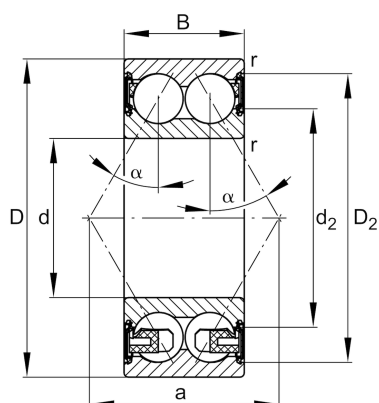
3204-BD-XL-2HRS

Angular contact ball bearing

Schaeffler ID:
0822087190000Angular contact ball bearing 32.-BD-
XL-2HRS, double row, X-life, seals, steel
sheet metal cage

X-life

Technical information

**Main Dimensions & Performance Data**

| | | |
|----------|--------------|-----------------------------------|
| d | 20 mm | Bore diameter |
| D | 47 mm | Outside diameter |
| B | 20,6 mm | Width |
| C_r | 20.600 N | Basic dynamic load rating, radial |
| C_{0r} | 12.900 N | Basic static load rating, radial |
| C_{ur} | 900 N | Fatigue load limit, radial |
| n_G | 12.100 1/min | Limiting speed |
| | 0,155 kg | Weight |

Dimensions

| | | |
|-----------|---------|---------------------------------------------------|
| r_{min} | 1 mm | Minimum chamfer dimension |
| D_2 | 42,2 mm | Caliber diameter outer ring |
| d_2 | 29,2 mm | Caliber diameter inner ring |
| a | 27,9 mm | Distance between the apexes of the pressure cones |
| α | 30 ° | Contact angle |

Mounting dimensions

| | | |
|-------------|---------|--------------------------------------|
| $d_{a min}$ | 25,6 mm | Minimum diameter shaft shoulder |
| $D_{a max}$ | 41,4 mm | Maximum diameter of housing shoulder |
| $r_{a max}$ | 1 mm | Maximum fillet radius |

Temperature range

| | | |
|-----------|--------|----------------------------|
| T_{min} | -20 °C | Operating temperature min. |
| T_{max} | 100 °C | Operating temperature max. |